



AC Electric Rotary Isolation Disconnect Switch

ADELS® is a specialized in high quality AC Electric Rotary Isolation Disconnect Switch manufacturer and supplier in China. AC Electric Rotary Isolation Disconnect Switch was designed and manufactured, according to GB/14048.3 and IEC60947-3, FM30 series load isolation switch is used for AC 50Hz, rated operational voltage up to 440V, rated current up to 100A in

electrical circuits, for ventilating equipment, air conditioners and water pumps on the master switch of the system, can also directly control small-capacity motor. Book a consultation today and see how our switches match your market needs.

Model:FM30

ADELS® is AC Electric Rotary Isolation Disconnect Switch manufacturers and suppliers in China who can wholesale AC Electric Rotary Isolation Disconnect Switch.

AC Electric Rotary Isolation Disconnect Switch

- Ambient temperature Do not exceed 40 °C , and the average temperature, Measured over a period of 24h, do not exceed 35°C ;
- Ambient temperature should not be below -25°C;
- Should not be installed over 2000m above sealevel;
- The highest temperature of 40°C, relative humidity of air no more than 50%. At lower temperatures, A higher humidity is allowed, Such as at 20°C, up to 90% humidity allowed It shall adopt the special treatment against the condensation water.



FM30-25/GS04-2



FM30-32/GS04-2



FM30-63/GS04-2



FM30-100/GS04-2

Wenzhou Feimai Electric Co., Ltd.

Address:No.75 Xinguang Avenue, Xinguang Industrial Zone, Liushi, Yueqing City, Zhejiang Province, P.R.China.

Phone:+86-13968753197

Fax:+86-577-62797770

Tel:+86-577-62797750

E-mail:sale@adels-solar.com

AC Electric Rotary Isolation Disconnect Switch introduction

- ◆FM30 series load isolation switch is used for AC 50Hz, rated operational voltage up to 440V, rated current up to 100A in electrical circuits, for ventilating equipment, air conditioners and water pumps on the master switch of the system, can also directly control small-capacity motor.
- ◆Rotary switches comply with: GB/14048.3 and IEC60947-3.
.FM30 series switch specifications, 20A, 25A, 32A, 40A, 63A and 80A, 100A current rating.
- ◆FM30 series switch has a small size, compact structure, selection of exquisite, well insulated, with finger function, safe and reliable, you can add others to the 3-pole standard block contacts without having to dismantle the switch.
- ◆FM30 series switch insulation distances greater than the other switch, disconnect the speed, applicable to DC switching.

Normal working conditions

- ◆Ambient temperature Do not exceed 40 °C , and the average temperature, Measured over a period of 24h, do not exceed 35°C ;
- ◆Ambient temperature should not be below -25°C;
- ◆Should not be installed over 2000m above sealevel;
- ◆The highest temperature of 40°C, relative humidity of air no more than 50%. At lower temperatures, A higher humidity is allowed, Such as at 20°C, up to 90% humidity allowed It shall adopt the special treatment against the condensation water.

Installation conditions

A clean environment is required ;
Please follow our manual installation;

Classification

- ◆Classified by utilization
- ◆Classified by protective level
(1)Without plastic box: IP2L0
(2)With plastic box: IP65

Technical parameters

Type		FM30-2	FM30-3	FM30-4	FM30-6	FM30-10	FM30-12
		5	2	0	3	0	5
Rated	A	25	32	40	63	100	125

Wenzhou Feimai Electric Co., Ltd.

Address:No.75 Xinguang Avenue, Xinguang Industrial Zone, Liushi, Yueqing City, Zhejiang Province, P.R.China.

Phone:+86-13968753197

Fax:+86-577-62797770

Tel:+86-577-62797750

E-mail:sale@adels-solar.com

thermal current (Ith)							
Rated working voltage(Ue)	V	240 440	240 440	240 440	240 440	240 440	240 440
Rating value(Ie/k W)							
AC-21A	A/k w	20/-20/ -	32/-32/ -	40/-40/ -	63/-63-	100/-100 /-	125/-125 /-
AC-22A	A/k w	20/-20/ -	32/-32/ -	40/-40/ -	63/-63-	100/-100 /-	125/-125 /-
AC-23A	VKW	15/4 15/7.5	22/5.5 22/11	30/7.5 30/7.5	43/11 43/22	70/22 70/22	
AC-3	A/k w	11.7/3 11.7/5. 5	15/4 15/7.5	22/7.5 22/11	36/11 36/18.5	57/18.5 57/30	

Current type: AC 50Hz

Number of main contact: ON or OFF

Frequency: 8 hour work/intermittent periodic duty, /h operation frequency is 30 times.

Electrical life: 10,000 times / AC-23, 6,000 times/ AC-3, auxiliary contacts for 2000 times.



FM30-32/GS04-2/D2



FM30-63/GS04-2/D2



FM30-100/GS04-2/D2

Classification

FM30 Series door interlock Guide Installation D2(50/100/150/200)

Wenzhou Feimai Electric Co., Ltd.

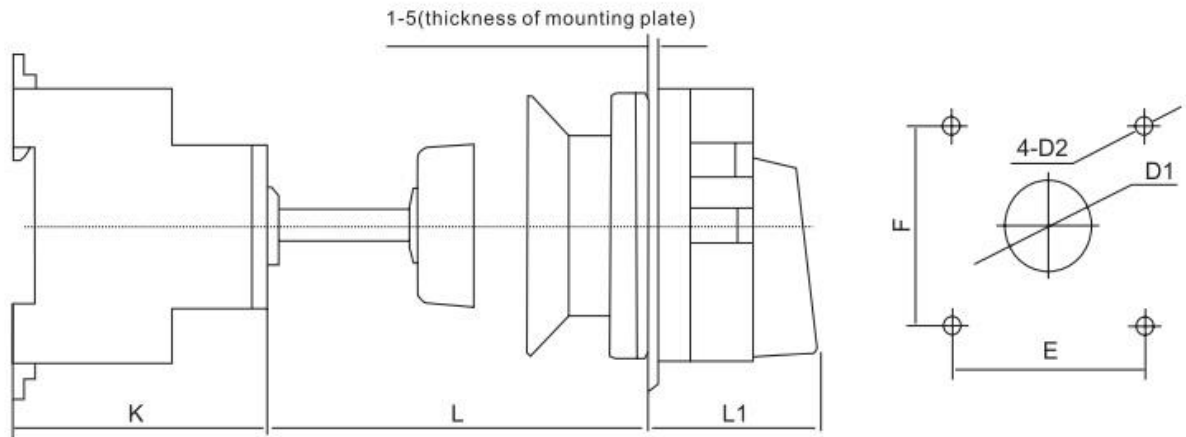
Address:No.75 Xinguang Avenue, Xinguang Industrial Zone, Liushi, Yueqing City, Zhejiang Province, P.R.China.

Phone:+86-13968753197

Fax:+86-577-62797770

Tel:+86-577-62797750

E-mail:sale@adels-solar.com



Type	Outline size			Mounting size			
	A	L1	L	E	F	D1	D2
FM30-20	50	32	150	48	48	422	04. 2
FM30-25	50	32	150	48	48	(D22	<D4. 2
FM30-32	50	32	150	48	48	022	04. 2
FM3040	61	32	150	48	48	022	0) 4. 2
FM30-63	61	32	150	48	48	<D22	(D4. 2
FM30-80	68	32	150	48	48	(D22	(D4. 2
FM30-100	68	32	150	48	48	022	04. 2

Note: Product can be installed in 35mm para la I

AC Isolator Selection - AC Electric Rotary Isolation Disconnect Switch

◆AC Isolators are used in both stand-alone grid or network distributed systems. If connected to the distributed network then G83/1 stipulates the PV system must be connected directly to an isolation switch that is wired so as to isolate both the live and neutral conductors, capable of being secured in the “OFF” position and in an accessible location within the installation.

◆Unlike a DC isolator that is required to switch both the positive and negative conductors, an AC isolator should be chosen with regards to the supply being single phase, which is typically found in domestic installations or three phase, which is typical for commercial or industrial installations. Ideally for single phase a 2pole isolator should be used to switch the live and neutral line (earth constantly connected) whilst a 4pole isolator would be used to switch the 3 voltage lines and neutral (earth constantly connected).

◆The isolator rating should be based on the inverter output which is normally specified per phase, that is line to neutral, and for example maybe shown as 20A at 230VAC; if this output is from a three phase unit then the AC isolator must be rated to for the line-to-line

Wenzhou Feimai Electric Co., Ltd.

Address:No.75 Xinguang Avenue, Xinguang Industrial Zone, Liushi, Yueqing City, Zhejiang Province, P.R.China.

Phone:+86-13968753197

Fax:+86-577-62797770

Tel:+86-577-62797750

E-mail:sale@adels-solar.com



www.adels-solar.com

voltage which would typically be 415VAC.

◆With both AC and DC isolators the ambient temperature of the environment in which the switch is mounted must be considered as most industrial switches are nominally rated for use in 35°C. However, if the isolator is to be used in an area where solar activity is prevalent, thereby making more efficient use of the installation and greater yield, or in an enclosed space such as a loft or that of an inverter enclosure, then an isolator capable of handling the elevated temperatures should be selected.

Wenzhou Feimai Electric Co., Ltd.

Address:No.75 Xinguang Avenue, Xinguang Industrial Zone, Liushi, Yueqing City, Zhejiang Province, P.R.China.

Phone:+86-13968753197

Fax:+86-577-62797770

Tel:+86-577-62797750

E-mail:sale@adels-solar.com